



The Portable Bang Unit PBU-1 is a small handy battery operated unit which produces very accurate sound impulses for testing microphone sensitivity, and for adjustment of the electronic circuits of AS-100 Miss Distance Indicators (MDIs).

The PBU-1 consists of two parts, i.e. the Portable Bang Unit PBU-1 and the Bang Box BB-1/C. The BB-1/C is connected via a 2.5 m long cable to the PBU-1.

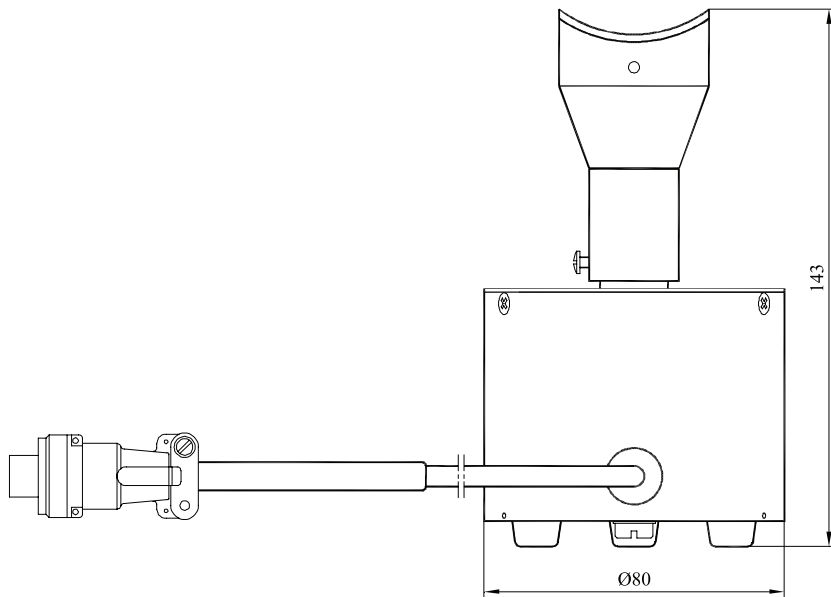
The sound impulse from the compressor type loudspeaker has a frequency of approx. 1 Hz is fed through a mouthpiece. Each MDI type has its own type of mouth piece. The PBU-1 is used to test and adjust all types of AS-100 MDIs.

The PBU-1 has a built in rechargeable 12 V battery. The battery is charged with the Battery Charger BC-7/2 (accessory).

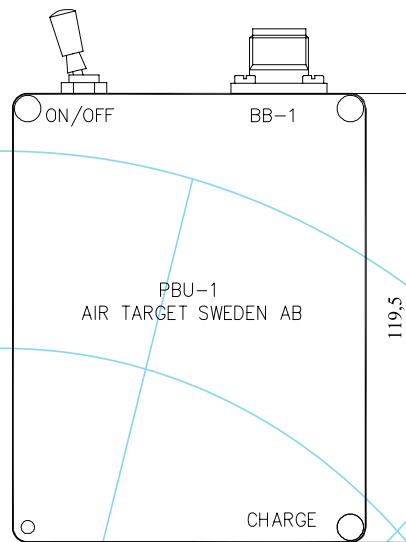
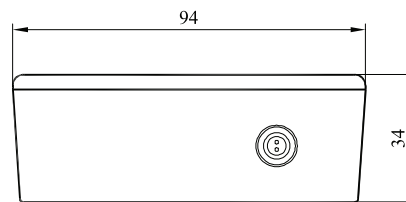
For accurate operation the ambient temperature should be within $23 \pm 5^\circ \text{C}$. If the PBU-1 is used outside the specified temperature range the PBU-1 is regarded as a GO or NO GO test instrument.

The storage temperature is $-35 + 70^\circ \text{C}$. Avoid humid conditions, which may cause condensation.

Optional equipment: The Microphone Location Units MLU is a handy tool used to easily locate each microphone position during the test. This is an optional tool not delivered together with the PBU-1. The MLU is available for different MDI models.



BB-1/C Weight 0.8 kg



PBU-1 Weight 0.45 kg

All dimensions in millimeters