

MISS DISTANCE INDICATOR AS-131/12U/TB



The AS-131/12U/TB is a universal 12-sector miss distance indicator (MDI) which is intended to be used with sleeve or banner targets.

The MDI is designed for simultaneous indication of miss distance and the angular position in 12 sectors of a passing supersonic projectile.

The MDI is a universal type, i.e. it handles all target courses relative to the firing gun or missile, i.e. all types of attacking and passing courses.

The MDI consists of a microphone nose containing six pressure sensors, and a cylindrical body containing the electronics, the transmitter, and a rechargeable NIMH accumulator.

The MDI can be equipped with a range of tow line connections in order to facilitate connection to most target towing systems.

For hard target or UAV applications the universal 12-sector models AS-133/12U, AS-134/12U or AS-135/12U are recommended.

MEASURING PRINCIPLES

The miss distance indicator AS-131 detects acoustically the shock wave generated by the passing supersonic projectile. The miss distance is determined by the amplitude of the shock wave while the angular position is determined from the hit order between the different pressure sensors in the MDI nose.

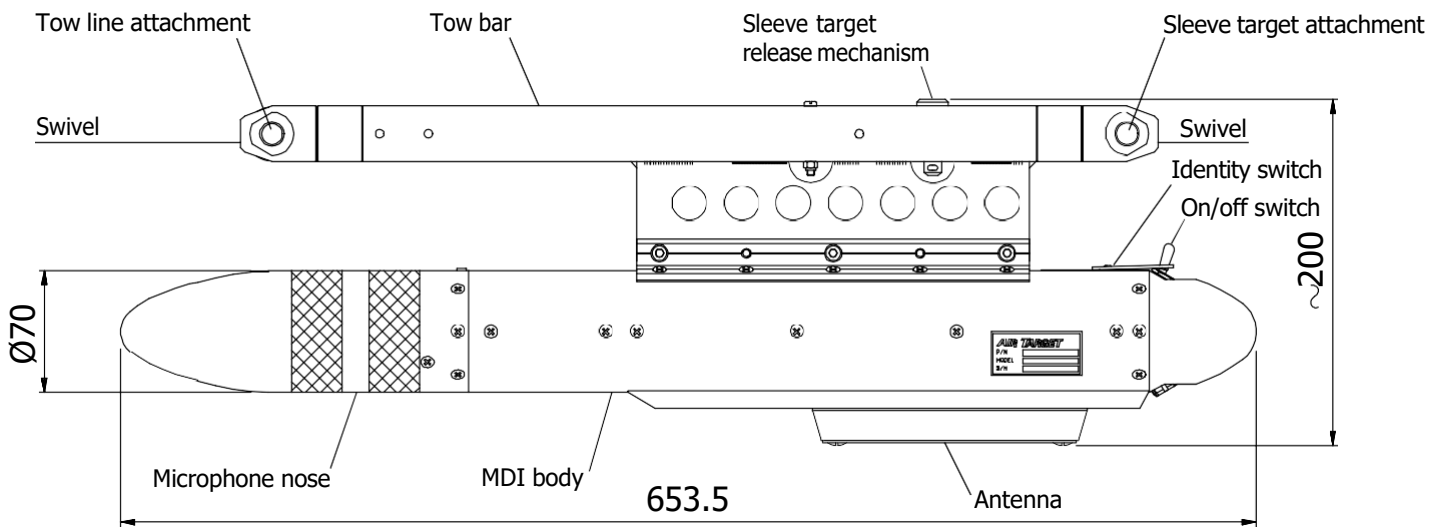
The miss distance and the angular position of the projectiles are measured in real time and the data is

transmitted as raw data signals via the special designed transmitter to the scoring station. Since raw data is used, all calculations are made in the scoring station.

A recalculation of the scoring result, with later more accurate parameters, can easily be made in the scoring station for further improved accuracy.

- 12U = 12 sector universal
- TB = Towbar

TECHNICAL DATA



All dimensions in millimeters

GENERAL

Power supply	Rechargeable NIMH battery pack
Battery operation time	min. 4 h at +25°C
Supply voltage	+12 VDC
Operation temperature	-30°C to +55°C
Storage temperature	-40°C to +70°C
Weight	Approx. 3.5 kg

DATA

Scoring capacity	6000 rounds per minute, momentarily more
Scoring Resolution	12 sectors (1 sector = 30°)
Scoring calibers	5.56 mm to 5"+ and missiles
Distance accuracy	±1 m or max ±15% of the actual miss distance, whichever is the greatest
Angular accuracy	±1 sector

TRANSCEIVER

Carrier frequency	Frequency within 330-473 MHz
Channel separation	12.5 kHz
Radiated power	typ. 1.0 W
Link type	Half-Duplex
Data transfer rate	Radio 9600 bps
Optional	Encryption AES128